

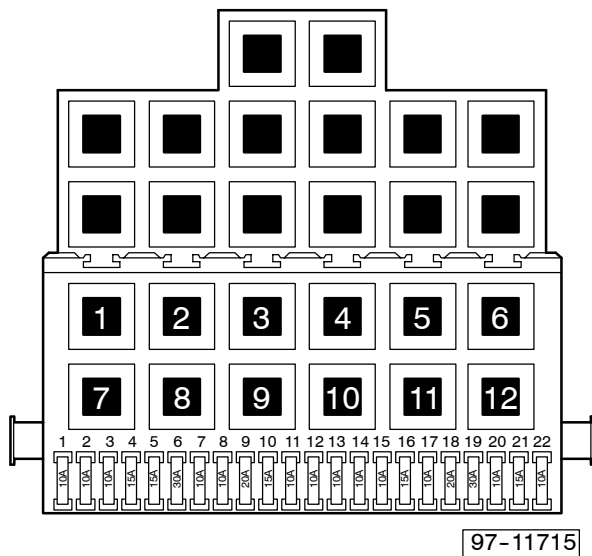
## Automatic transmission,

- 2.5 L-Engine – Digifant Multiport Fuel Injection (MFI)/81kW, code ACU,

from January 1995

### Relay location

For relay location and multiple connectors see also section "component locations".

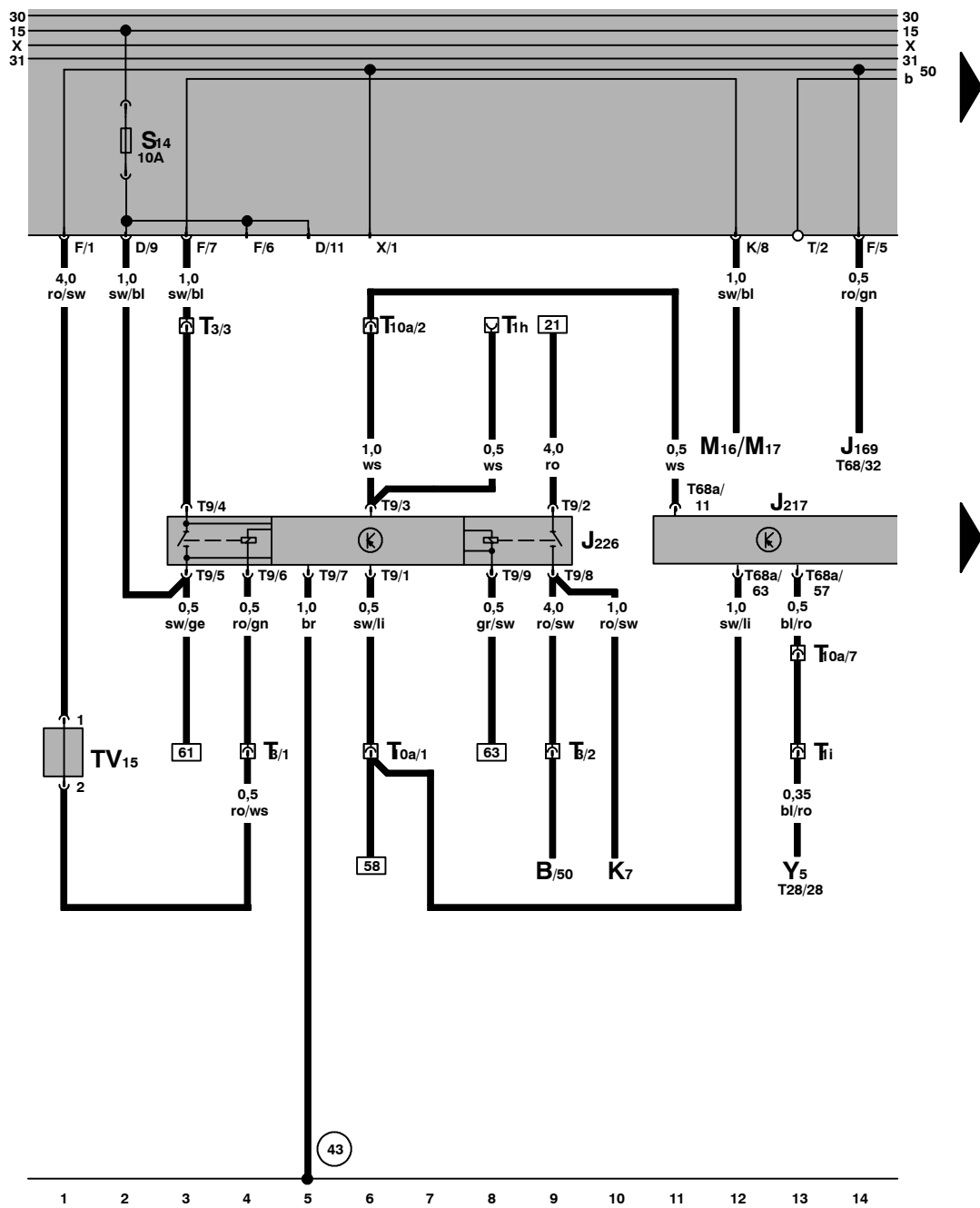


**12** – Fuel Pump (FP) Relay (80)

Note: Number in parentheses indicates production control number stamped on relay housing.

### Fuse colors

30A – green  
 25A – white  
 20A – yellow  
 15A – blue  
 10A – red

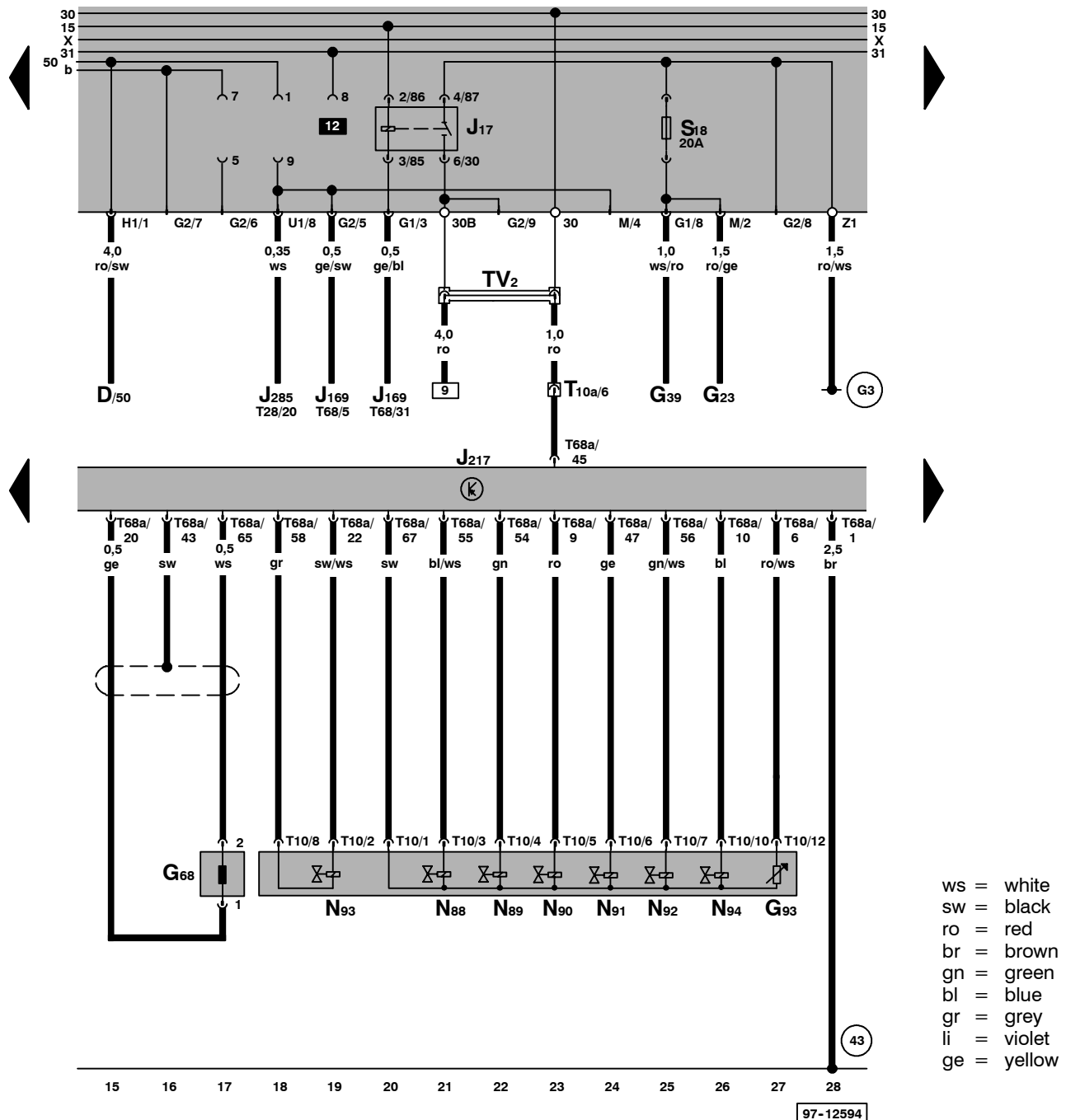


ws = white  
 sw = black  
 ro = red  
 br = brown  
 gn = green  
 bl = blue  
 gr = grey  
 li = violet  
 ge = yellow

- B – Starter
- J169 – Digifant Engine Control Module (ECM), near battery
- J217 – Transmission Control Module (TCM), behind instrument panel, right
- J226 – Park/Neutral Position (PNP) Relay, above fuse/relay panel
- K7 – Brake and Parking Brake Warning Light
- M16 – Left Back-Up Light
- M17 – Right Back-Up Light
- T1h – Single Connector, behind instrument panel, left
- T1i – Single Connector, behind fuse/relay panel
- T3 – 3-Pin Connector, behind fuse/relay panel
- T9 – 9-Pin Connector, on Park/Neutral Position (PNP) Relay

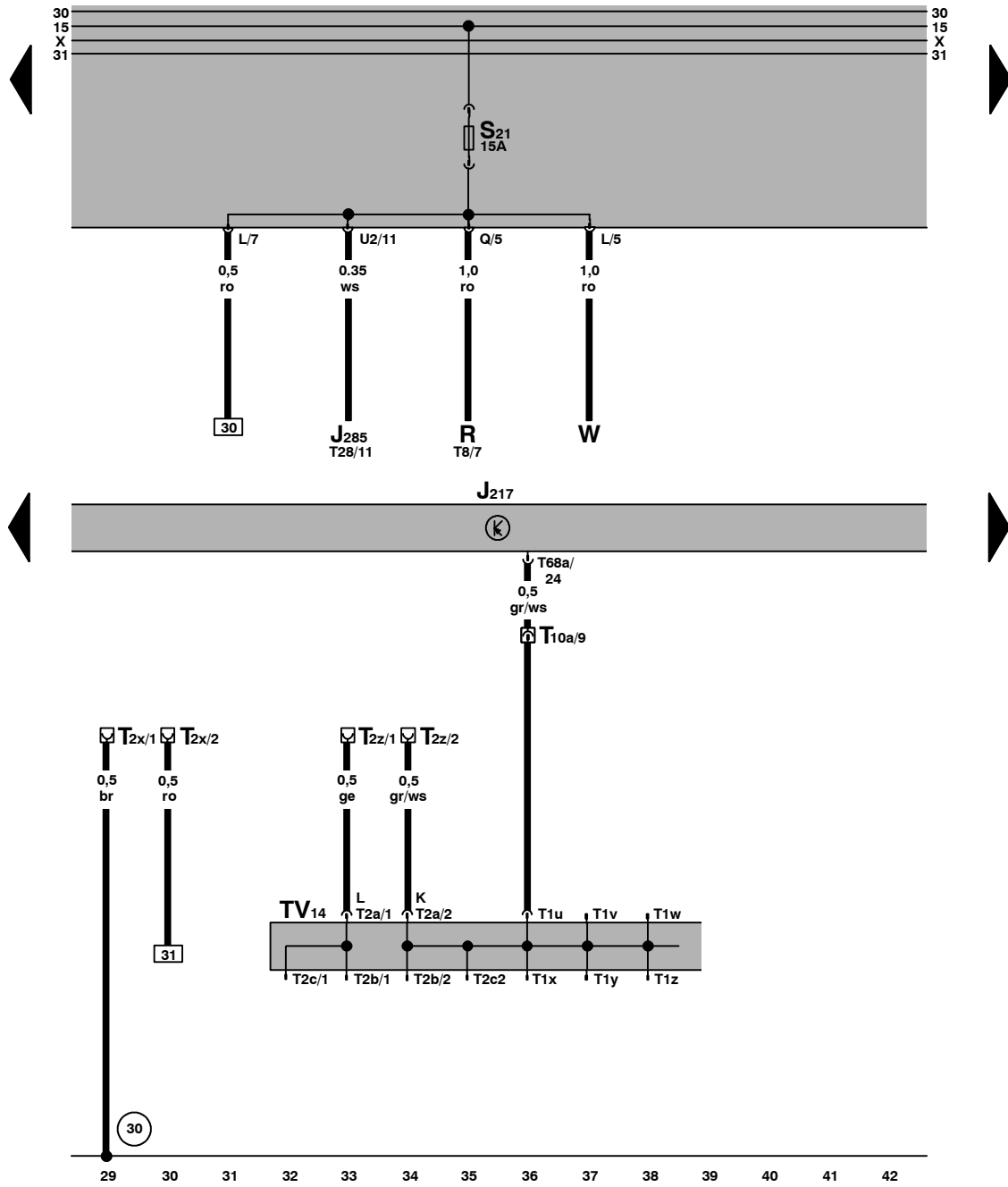
- T10a – 10-Pin Connector, behind instrument panel, right
- T28 – 28-Pin Connector, on instrument cluster
- T68 – 68-Pin Connector, on Digifant Engine Control Module (ECM)
- T68a – 68-Pin Connector, on Transmission Control Module (TCM)
- TV15 – Wire Connector, behind fuse/relay panel
- Y5 – Transmission Range (TR) Selector Lever Display, in instrument cluster

(43) – Ground connection, on right A-pillar, lower part



ws = white  
 sw = black  
 ro = red  
 br = brown  
 gn = green  
 bl = blue  
 gr = grey  
 li = violet  
 ge = yellow

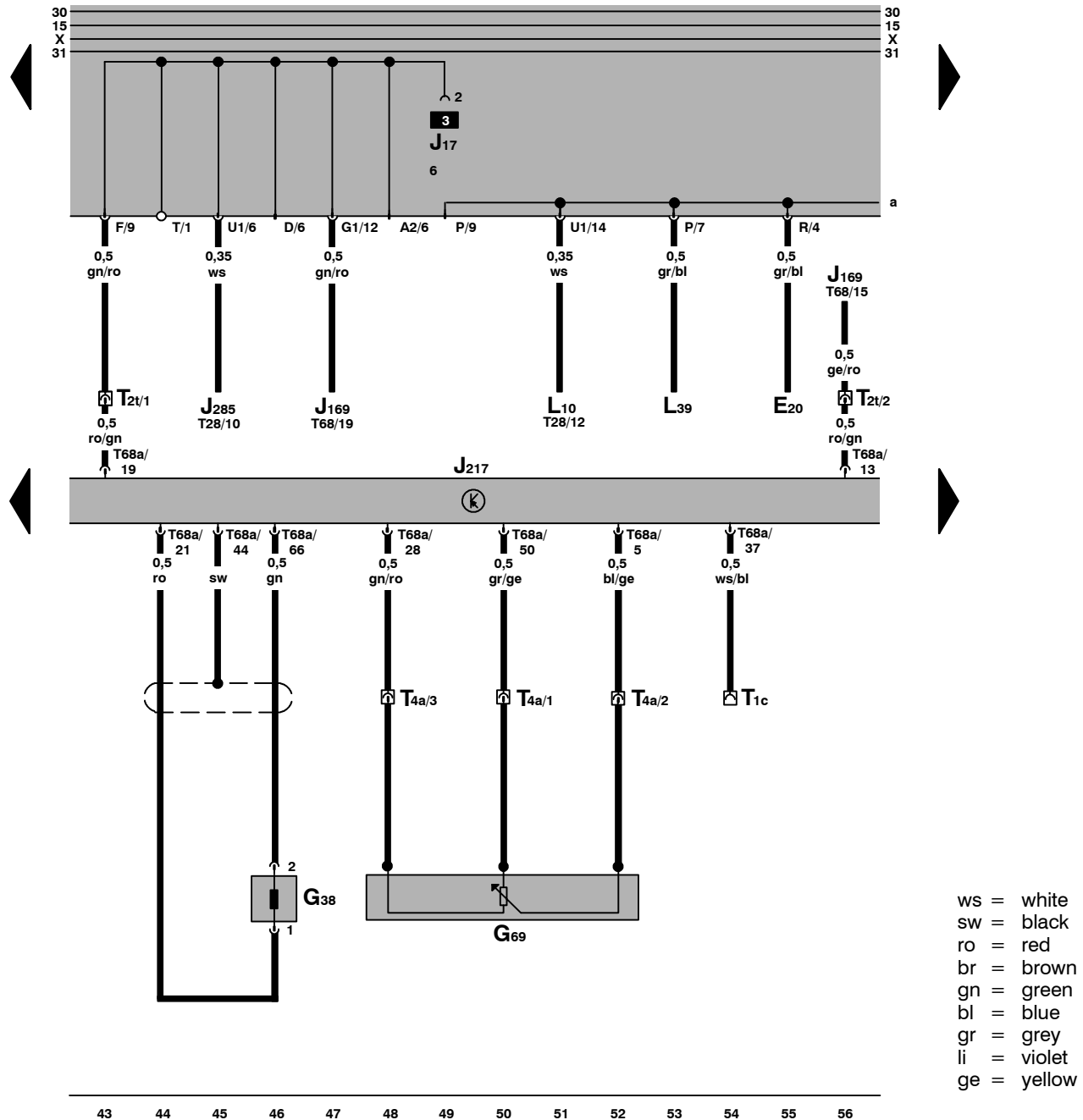
- D – Ignition/Starter Switch
- G23 – Transfer Fuel Pump (FP)
- G39 – Heated Oxygen Sensor (HO2S) (00525)
- G68 – Vehicle Speed Sensor (VSS) (00281)
- G93 – Transmission Fluid Temperature Sensor (00300)
- J17 – Fuel Pump (FP) Relay
- J169 – Digifant Engine Control Module (ECM), near battery
- J217 – Transmission Control Module (TCM), behind instrument panel, right
- J285 – Control Module With Display Unit In Instrument Cluster, in instrument cluster
- N88 – Solenoid valve 1 (00258)
- N89 – Solenoid valve 2 (00260)
- N90 – Solenoid valve 3 (00262)
- N91 – Solenoid valve 4 (00264)
- N92 – Solenoid valve 5 (00266)
- N93 – Solenoid valve 6 (00268)
- N94 – Solenoid valve 7 (00270)
- T10 – 10-Pin Connector
- T10a – 10-Pin Connector, behind instrument panel, right
- T28 – 28-Pin Connector, on instrument cluster
- T68 – 68-Pin Connector, on Digifant Engine Control Module (ECM)
- T68a – 68-Pin Connector, on Transmission Control Module (TCM)
- TV2 – Terminal 30 (B+) Wire Connector
- 43 – Ground connection, on right A-pillar, lower part
- G3 – Plus connection, in injector wiring harness



ws = white  
 sw = black  
 ro = red  
 br = brown  
 gn = green  
 bl = blue  
 gr = grey  
 li = violet  
 ge = yellow

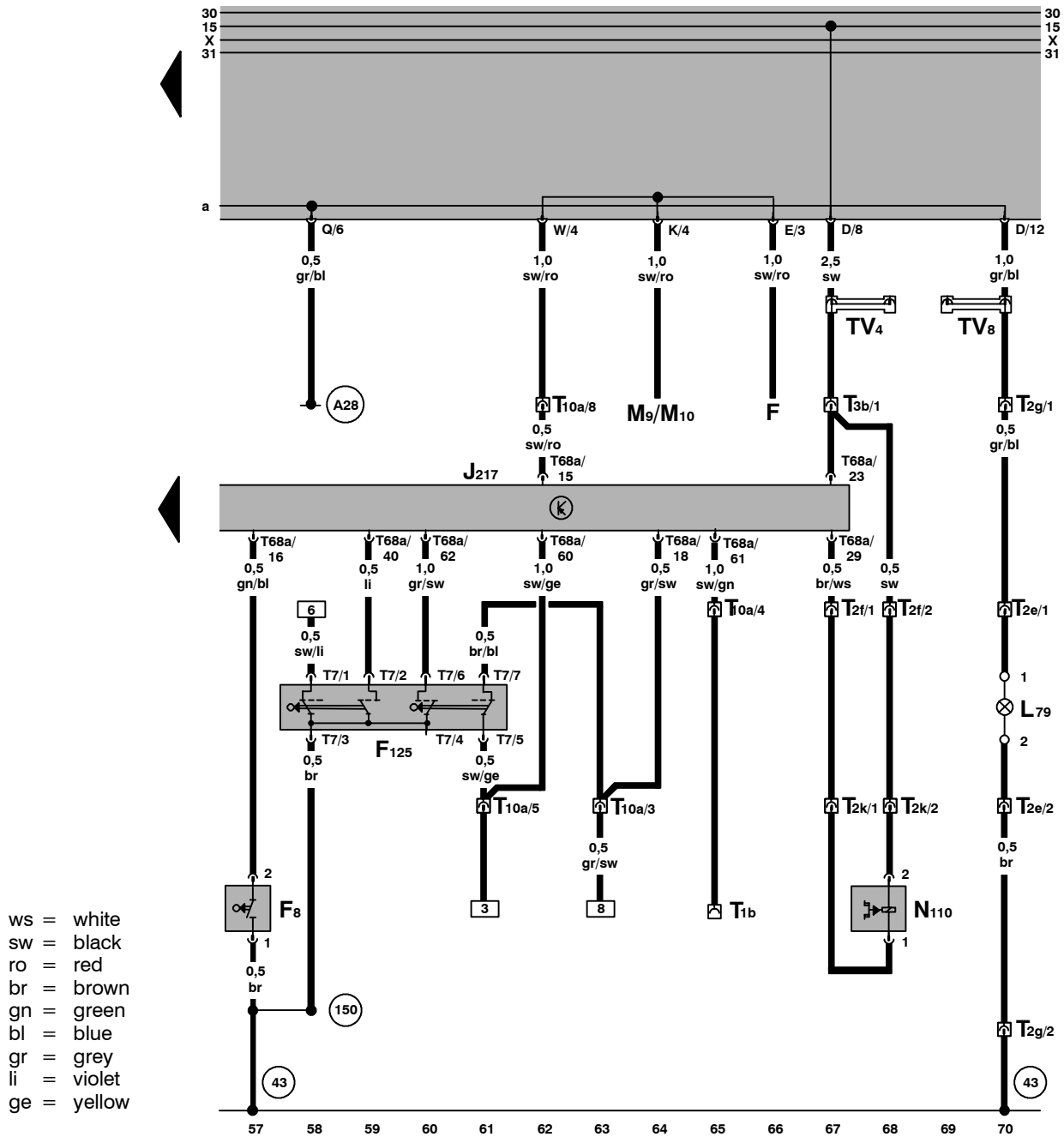
97-12595

- J217 – Transmission Control Module (TCM), behind instrument panel, right
- J285 – Control Module With Display Unit In Instrument Cluster
- R – Radio
- T1u – Single Connector
- T1v – Single Connector
- T1w – Single Connector
- T1x – Single Connector
- T1y – Single Connector
- T1z – Single Connector
- T2a – Double Connector
- T2b – Double Connector
- T2c – Double Connector
- T2x – Double Connector, black, above fuse/relay panel, Data Link Connector (DLC)
- T2z – Double Connector, white, above fuse/relay panel, Data Link Connector (DLC)
- T8 – 8-Pin Connector, on radio
- T10a – 10-Pin Connector, behind instrument panel, right
- T28 – 28-Pin Connector, on instrument cluster
- T68a – 68-Pin Connector, on Transmission Control Module (TCM)
- TV14 – Data Link Connector (DLC) Wire Connector, above fuse/relay panel
- W – Front Interior Light
- (30) – Ground connection, –1–, beside fuse/relay panel



97-12596

- |  |   |
|--|---|
| E20 – Instrument Panel Light Dimmer Switch                               | T2t – Double Connector, engine compartment, near transmission   |
| G38 – Transmission Vehicle Speed Sensor (VSS) (00297)                    | T4a – 4-Pin Connector, near throttle position (TP) sensor       |
| G69 – Throttle Position (TP) Sensor (00518)                              | T28 – 28-Pin Connector, on instrument cluster                   |
| J169 – Digifant Engine Control Module (ECM), near battery                | T68 – 68-Pin Connector, on Digifant Engine Control Module (ECM) |
| J176 – Digifant Engine Control Module (ECM) Power Supply Relay           | T68a – 68-Pin Connector, on Transmission Control Module (TCM)   |
| J217 – Transmission Control Module (TCM), behind instrument panel, right |   |
| J285 – Control Module With Display Unit In Instrument Cluster            |   |
| L10 – Instrument Cluster Light   |   |
| L39 – Rear Window Defogger Switch Light                                  |   |
| T1c – Single Connector, behind instrument panel, right                   |   |



ws = white  
 sw = black  
 ro = red  
 br = brown  
 gn = green  
 bl = blue  
 gr = grey  
 li = violet  
 ge = yellow

97-12597

- F – Brake Light Switch
- F8 – Kick Down Switch
- F125 – Multi-Function Transmission Range (TR) Switch (00293)
- J217 – Transmission Control Module (TCM), behind instrument panel, right
- L79 – Selector Lever Light
- M9 – Left Brake Light
- M10 – Right Brake Light
- N110 – Shift Lock Solenoid
- T1b – Single Connector, behind fuse/relay panel (cruise control)
- T2e – Double Connector, near selector lever
- T2f – Double Connector, behind instrument panel, right
- T2g – Double Connector, behind fuse/relay panel
- T2k – Double Connector, near selector lever

- T3b – 3-Pin Connector, behind instrument, right
- T7 – 7-Pin Connector, on Multi-Function Transmission Range (TR) Switch
- T10a – 10-Pin Connector, behind instrument panel, right
- T68 – 68-Pin Connector, on Transmission Control Module (TCM)
- TV4 – Terminal 15 Wire Connector
- TV8 – Terminal 58b Wire Connector
- 43 – Ground connection, on right A-pillar, lower part
- 150 – Ground connection, in automatic transmission wiring harness
- A28 – Plus connection (58b), in fresh air blower wiring harness